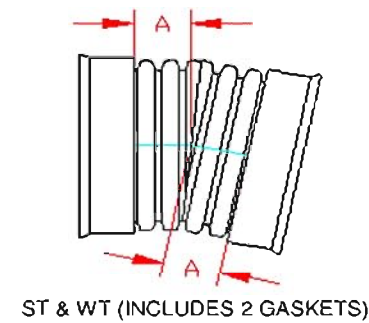
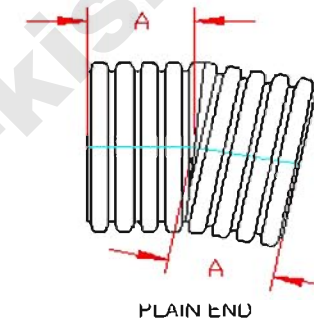


DUAL WALL FABRICATED 11.25° BENDS  
4" - 24" DIAMETER

PIPE SIZE	A	JOINT
4 in (100 mm)	4.2 in (107 mm)	.
6 in (150 mm)	5.0 in (127 mm)	.
8 in (200 mm)	6.7 in (170 mm)	.
10 in (250 mm)	7.5 in (191 mm)	.
12 in (300 mm)	7.9 in (202 mm)	.
12 in (300 mm)	4.3 in (108 mm)	ST
12 in (300 mm)	4.3 in (108 mm)	WT
15 in (375 mm)	11.0 in (280 mm)	.
15 in (375 mm)	6.0 in (152 mm)	ST
15 in (375 mm)	6.0 in (152 mm)	WT
18 in (450 mm)	10.9 in (276 mm)	.
18 in (450 mm)	5.8 in (148 mm)	ST
18 in (450 mm)	5.8 in (148 mm)	WT
24 in (600 mm)	14.2 in (360 mm)	.
24 in (600 mm)	7.9 in (202 mm)	ST
24 in (600 mm)	7.9 in (202 mm)	WT

. = PLAIN END  
ST = SOIL TIGHT  
WT = WATER TIGHT

NOTE. ALL FITTINGS DIMENSIONS ARE FOR REFERENCE ONLY



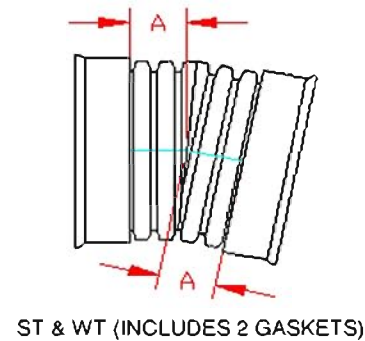
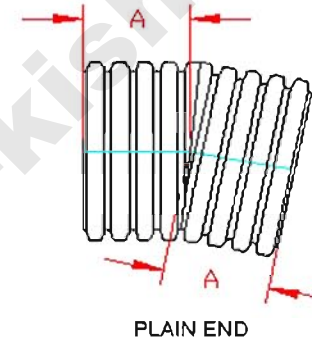
Office Address ■

No.18, Mina Blvd., Africa St, Tehran/Iran  
Tel: (+98 - 21) 88 20 20 60 (50 Lines) Fax: (+98 - 21) 88 20 20 81

info@parsethylene-kish.com  
www.parsethylene-kish.com

DUAL WALL FABRICATED 11.25° BENDS  
 30" - 60" DIAMETER

PIPE SIZE	A	JOINT
30 in (750 mm)	17.9 in (455 mm)	.
30 in (750 mm)	9.7 in (246 mm)	ST
30 in (750 mm)	9.7 in (246 mm)	WT
36 in (900 mm)	22.3 in (567 mm)	.
36 in (900 mm)	12.0 in (306 mm)	ST
36 in (900 mm)	12.0 in (306 mm)	WT
42 in (1050 mm)	17.6 in (448 mm)	.
42 in (1050 mm)	12.4 in (316 mm)	ST
42 in (1050 mm)	12.4 in (316 mm)	WT
48 in (1200 mm)	18.1 in (461 mm)	.
48 in (1200 mm)	12.9 in (328 mm)	ST
48 in (1200 mm)	12.9 in (328 mm)	WT
60 in (1500 mm)	21.1 in (536 mm)	.
60 in (1500 mm)	15.1 in (383 mm)	ST
60 in (1500 mm)	15.1 in (383 mm)	WT



. = PLAIN END  
 ST = SOIL TIGHT  
 WT = WATER TIGHT

NOTE: ALL FITTINGS DIMENSIONS ARE FOR REFERENCE ONLY

Office Address ■

No.18, Mina Blvd., Africa St, Tehran/Iran  
 Tel: (+98 - 21) 88 20 20 60 (50 Lines) Fax: (+98 - 21) 88 20 20 81

info@parsethylene-kish.com  
 www.parsethylene-kish.com