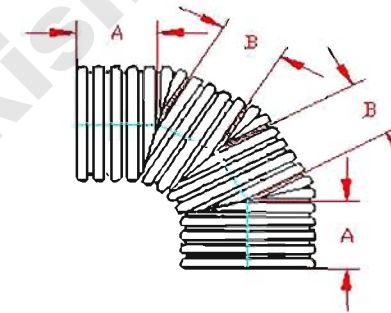


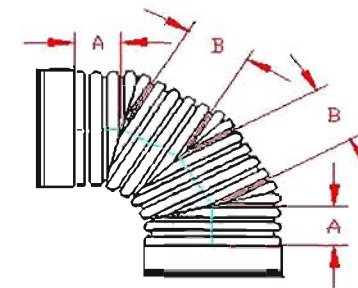
DUAL WALL FABRICATED MITERED 90° BENDS
 12" - 18" DIAMETER

PIPE SIZE	A	B	JOINT
12 in (300 mm)	9.4 in (239 mm)	7.8 in (198 mm)	*
12 in (300 mm)	5.5 in (140 mm)	7.8 in (198 mm)	ST
12 in (300 mm)	5.5 in (140 mm)	7.8 in (198 mm)	WT
15 in (375 mm)	12.1 in (307 mm)	9.3 in (236 mm)	*
15 in (375 mm)	6.9 in (175 mm)	9.3 in (236 mm)	ST
15 in (375 mm)	6.9 in (175 mm)	9.3 in (236 mm)	WT
18 in (450 mm)	12.2 in (310 mm)	10.0 in (254 mm)	*
18 in (450 mm)	7.1 in (180 mm)	10.0 in (254 mm)	ST
18 in (450 mm)	7.1 in (180 mm)	10.0 in (254 mm)	WT

* = PLAIN END
 ST = SOIL TIGHT
 WT = WATER TIGHT



PLAIN END



ST & WT (INCLUDES 2 GASKETS)

NOTE ALL FITTINGS DIMENSIONS ARE FOR REFERENCE ONLY

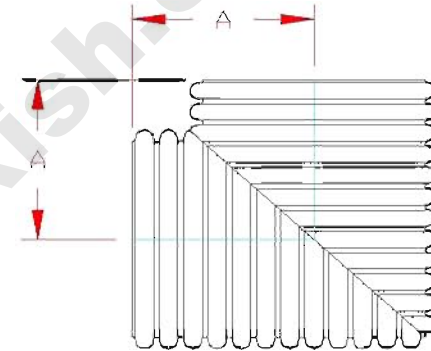
Office Address ■

No.18, Mina Blvd., Africa St, Tehran/Iran
 Tel: (+98 - 21) 88 20 20 60 (50 Lines) Fax: (+98 - 21) 88 20 20 81

info@parsethylene-kish.com
 www.parsethylene-kish.com

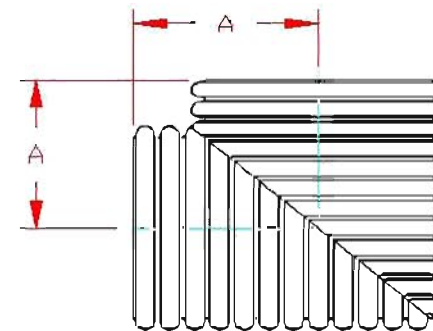
DUAL WALL FABRICATED "SOIL TIGHT" "PLAIN END" 90° MANIFOLD BEND
 12" - 30" DIAMETER

PIPE SIZE	A
12 in (300 mm)	12.7 in (323 mm)
15 in (375 mm)	14.5 in (367 mm)
18 in (450 mm)	17.6 in (448 mm)
24 in (600 mm)	20.7 in (526 mm)
30 in (750 mm)	26.5 in (674 mm)



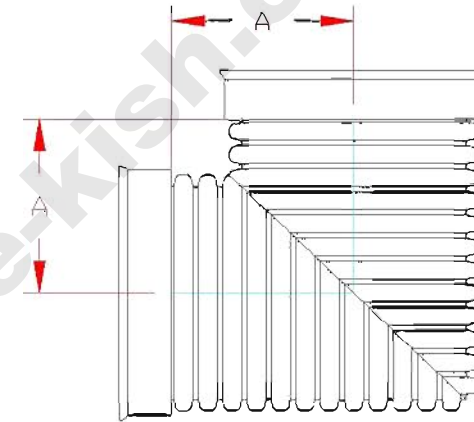
DUAL WALL FABRICATED "SOIL TIGHT" "PLAIN END" 90° MANIFOLD BEND
 36" - 60" DIAMETER

PIPE SIZE	A
36 in (900 mm)	31.5 in (800 mm)
42 in (1050 mm)	36.0 in (914 mm)
48 in (1200 mm)	39.3 in (997 mm)
60 in (1500 mm)	45.0 in (1143 mm)



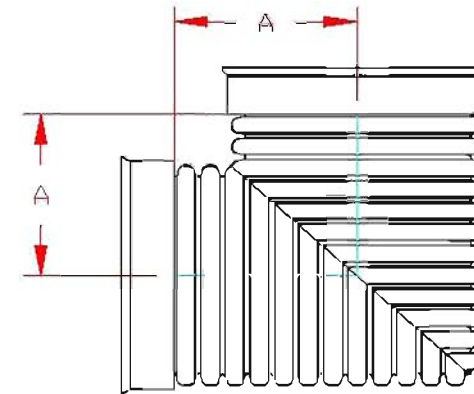
DUAL WALL FABRICATED "WATER TIGHT" "BELL-BELL" 90° MANIFOLD BEND
12" - 30" DIAMETER

PIPE SIZE	A
12 in (300 mm)	10.8 in (273 mm)
15 in (375 mm)	11.8 in (300 mm)
18 in (450 mm)	14.7 in (373 mm)
24 in (600 mm)	17.7 in (450 mm)
30 in (750 mm)	22.4 in (570 mm)



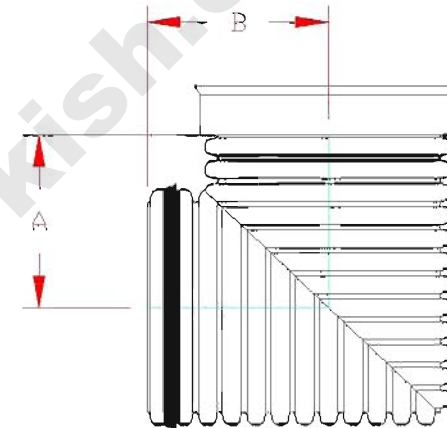
DUAL WALL FABRICATED "WATER TIGHT" "BELL-BELL" 90° MANIFOLD BEND
36" - 60" DIAMETER

PIPE SIZE	A
36 in (900 mm)	28.2 in (666 mm)
42 in (1050 mm)	36.0 in (914 mm)
48 in (1200 mm)	39.3 in (997 mm)
60 in (1500 mm)	39.0 in (991 mm)



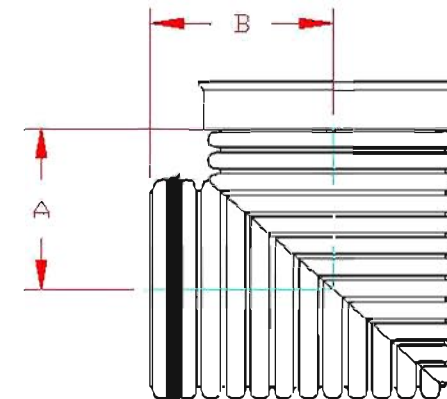
DUAL WALL FABRICATED "WATER TIGHT" "BELL-GASKET" 90° MANIFOLD BEND
 12" - 30" DIAMETER

PIPE SIZE	A	B
12 in (300 mm)	10.8 in (273 mm)	14.7 in (372 mm)
15 in (375 mm)	11.8 in (300 mm)	17.1 in (434 mm)
18 in (450 mm)	14.7 in (373 mm)	20.6 in (523 mm)
24 in (600 mm)	17.7 in (450 mm)	23.6 in (600 mm)
30 in (750 mm)	22.4 in (570 mm)	30.6 in (777 mm)



DUAL WALL FABRICATED "WATER TIGHT" "BELL-GASKET" 90° MANIFOLD BEND
 36" - 60" DIAMETER

PIPE SIZE	A	B
36 in (900 mm)	28.2 in (666 mm)	38.7 in (933 mm)
42 in (1050 mm)	36.0 in (914 mm)	36.0 in (914 mm)
48 in (1200 mm)	39.3 in (997 mm)	39.3 in (997 mm)
60 in (1500 mm)	39.0 in (991 mm)	51.0 in (1295 mm)

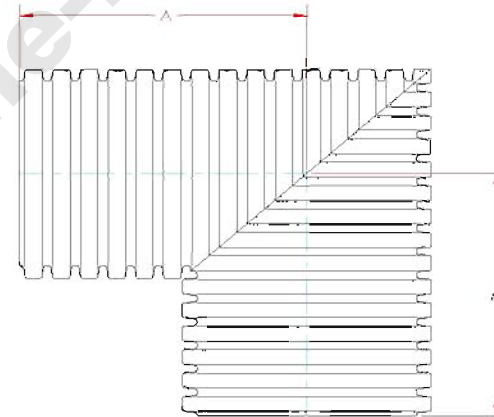


Office Address ■

STORMTECH DUAL WALL FABRICATED "SOIL TIGHT" "PLAIN END" 90° MANIFOLD BEND
6" - 24" DIAMETER

PIPE SIZE	CHAMBER SIZE	A
6 in (150 mm)	SC-740	28.6 in (727 mm)
8 in (200 mm)	SC-740	28.3 in (719 mm)
10 in (250 mm)	SC-740	28.4 in (720 mm)
12 in (300 mm)	SC-740	28.8 in (732 mm)
15 in (375 mm)	SC-740	28.5 in (724 mm)
18 in (450 mm)	SC-740	28.1 in (715 mm)
24 in (600 mm)	SC-740	28.4 in (720 mm)

PIPE SIZE	PIPE SIZE	A
6 in (150 mm)	SC-310	19.6 in (499 mm)
8 in (200 mm)	SC-310	19.7 in (500 mm)
10 in (250 mm)	SC-310	19.5 in (496 mm)
12 in (300 mm)	SC-310	20.2 in (512 mm)



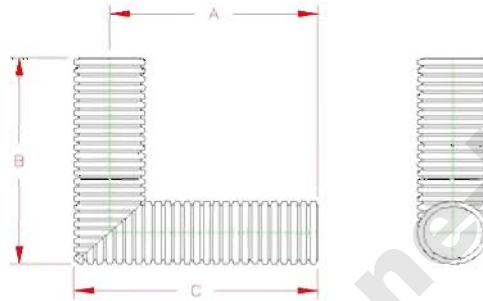
NOTE: ALL FITTINGS DIMENSIONS ARE FOR REFERENCE ONLY

Office Address ■

No.18, Mina Blvd., Africa St, Tehran/Iran
Tel: (+98 - 21) 88 20 20 60 (50 Lines) Fax: (+98 - 21) 88 20 20 81

info@parsethylene-kish.com
www.parsethylene-kish.com

STORMTECH DUAL WALL FABRICATED "SOIL TIGHT" ELBOWS
 12" - 24" DIAMETER



PIPE SIZE	CHAMBER SIZE	A	B	C
12 in (300 mm)	3500	42.0 in (1067 mm)	47.3 in (1201 mm)	48.5 in (1232 mm)
15 in (375 mm)	3500	43.4 in (1101 mm)	52.1 in (1324 mm)	52.1 in (1324 mm)
18 in (450 mm)	3500	41.2 in (1045 mm)	54.7 in (1389 mm)	54.7 in (1389 mm)
24 in (600 mm)	3500	42.5 in (1080 mm)	63.3 in (1608 mm)	56.0 in (1423 mm)

NOTE: ALL FITTINGS DIMENSIONS ARE FOR REFERENCE ONLY

Office Address

No.18, Mina Blvd., Africa St, Tehran/Iran
 Tel: (+98 - 21) 88 20 20 60 (50 Lines) Fax: (+98 - 21) 88 20 20 81

info@parsethylene-kish.com
 www.parsethylene-kish.com