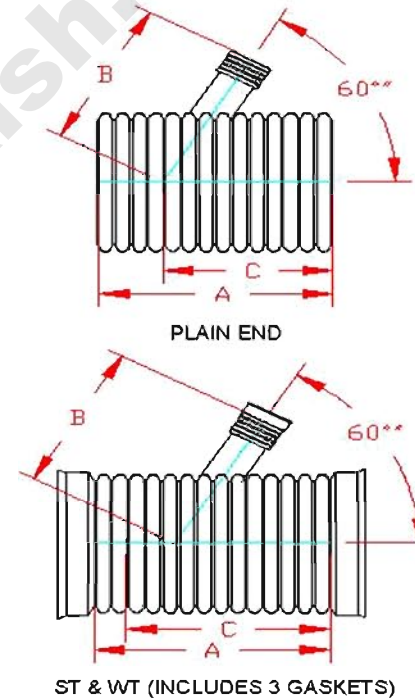


DUAL WALL FABRICATED 60° REDUCING WYES
18"x4" - 18"x10" DIAMETER

PIPE SIZE	A	B	C	JOINT
18 x 4 in (450 x 100 mm)	29.5 in (749 mm)	18.2 in (462 mm)	20.9 in (530 mm)	*
18 x 4 in (450 x 100 mm)	24.1 in (613 mm)	17.5 in (445 mm)	18.2 in (462 mm)	ST
18 x 4 in (450 x 100 mm)	24.1 in (613 mm)	17.5 in (445 mm)	18.2 in (462 mm)	WT
18 x 6 in (450 x 150 mm)	29.5 in (749 mm)	19.2 in (487 mm)	20.9 in (530 mm)	*
18 x 6 in (450 x 150 mm)	24.1 in (613 mm)	18.4 in (467 mm)	18.2 in (462 mm)	ST
18 x 6 in (450 x 150 mm)	24.1 in (613 mm)	18.4 in (467 mm)	18.2 in (462 mm)	WT
18 x 8 in (450 x 200 mm)	32.2 in (817 mm)	20.9 in (530 mm)	22.2 in (564 mm)	*
18 x 8 in (450 x 200 mm)	26.8 in (681 mm)	19.9 in (506 mm)	19.5 in (496 mm)	ST
18 x 8 in (450 x 200 mm)	26.8 in (681 mm)	19.9 in (506 mm)	19.5 in (496 mm)	WT
18 x 10 in (450 x 250 mm)	34.8 in (885 mm)	23.6 in (599 mm)	23.5 in (598 mm)	*
18 x 10 in (450 x 250 mm)	29.5 in (749 mm)	22.3 in (567 mm)	20.9 in (530 mm)	ST
18 x 10 in (450 x 250 mm)	29.5 in (749 mm)	22.3 in (567 mm)	20.9 in (530 mm)	WT

* = PLAIN END
ST = SOIL TIGHT
WT = WATER TIGHT

NOTE: ALL FITTINGS DIMENSIONS ARE FOR REFERENCE ONLY



Office Address ■

No.18, Mina Blvd., Africa St, Tehran/Iran
Tel: (+98 - 21) 88 20 20 60 (50 Lines) Fax: (+98 - 21) 88 20 20 81

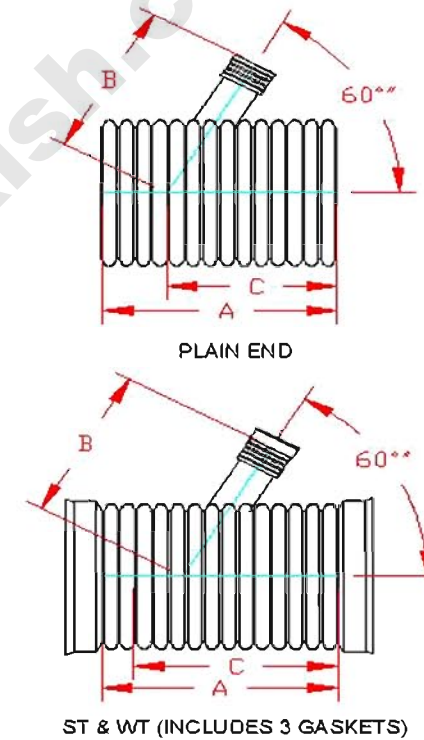
info@parsethylene-kish.com
www.parsethylene-kish.com

DUAL WALL FABRICATED 60° REDUCING WYES
 18"×12" - 18"×15" DIAMETER

PIPE SIZE	A	B	C	JOINT
18 x 12 in (450 x 300 mm)	40.2 in (1021 mm)	29.5 in (750 mm)	26.2 in (666 mm)	*
18 x 12 in (450 x 300 mm)	34.8 in (885 mm)	27.6 in (701 mm)	23.5 in (598 mm)	ST
18 x 12 in (450 x 300 mm)	34.8 in (885 mm)	27.6 in (701 mm)	23.5 in (598 mm)	WT
18 x 15 in (450 x 375 mm)	42.9 in (1089 mm)	35.5 in (903 mm)	27.6 in (700 mm)	*
18 x 15 in (450 x 1375mm)	37.5 in (953 mm)	33.0 in (837 mm)	24.9 in (632 mm)	ST
18 x 15 in (450 x 375 mm)	37.5 in (953 mm)	33.0 in (837 mm)	24.9 in (632 mm)	WT

* = PLAIN END
 ST = SOIL TIGHT
 WT = WATER TIGHT

NOTE: ALL FITTINGS DIMENSIONS ARE FOR REFERENCE ONLY

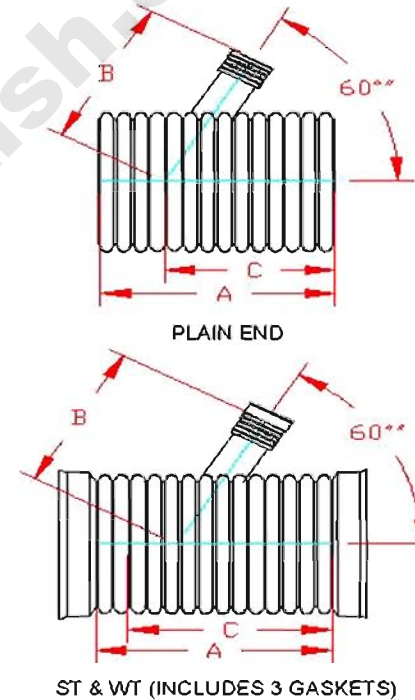


DUAL WALL FABRICATED 60° REDUCING WYES
24"×4" - 24"×10" DIAMETER

PIPE SIZE	A	B	C	JOINT
24 × 4 in (600 × 100 mm)	31.5 in (800 mm)	22.0 in (559 mm)	23.8 in (604 mm)	*
24 × 4 in (600 × 100 mm)	25.2 in (640 mm)	21.3 in (542 mm)	20.6 in (524 mm)	ST
24 × 4 in (600 × 100 mm)	25.2 in (640 mm)	21.3 in (542 mm)	20.6 in (524 mm)	WT
24 × 6 in (600 × 150 mm)	34.7 in (880 mm)	23.0 in (584 mm)	25.4 in (644 mm)	*
24 × 6 in (600 × 150 mm)	28.4 in (720 mm)	22.2 in (564 mm)	22.2 in (564 mm)	ST
24 × 6 in (600 × 150 mm)	28.4 in (720 mm)	22.2 in (564 mm)	22.2 in (564 mm)	WT
24 × 8 in (600 × 200 mm)	37.8 in (960 mm)	24.7 in (627 mm)	26.9 in (684 mm)	*
24 × 8 in (600 × 200 mm)	31.5 in (800 mm)	23.7 in (603 mm)	23.8 in (604 mm)	ST
24 × 8 in (600 × 200 mm)	31.5 in (800 mm)	23.7 in (603 mm)	23.8 in (604 mm)	WT
24 × 10 in (600 × 250 mm)	41.0 in (1040 mm)	27.4 in (696 mm)	28.5 in (724 mm)	*
24 × 10 in (600 × 250 mm)	34.7 in (880 mm)	26.1 in (664 mm)	25.4 in (644 mm)	ST
24 × 10 in (600 × 250 mm)	34.7 in (880 mm)	26.1 in (664 mm)	25.4 in (644 mm)	WT

* = PLAIN END
ST = SOIL TIGHT
WT = WATER TIGHT

NOTE: ALL FITTINGS DIMENSIONS ARE FOR REFERENCE ONLY



Office Address ■

No.18, Mina Blvd., Africa St, Tehran/Iran
Tel: (+98 - 21) 88 20 20 60 (50 Lines) Fax: (+98 - 21) 88 20 20 81

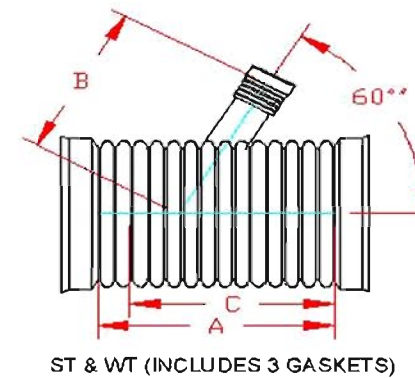
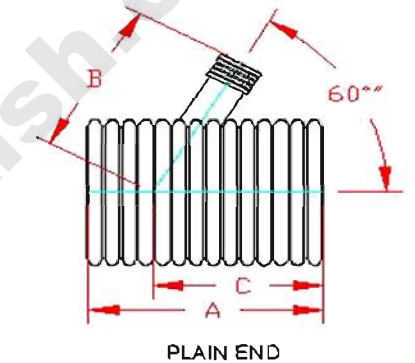
info@parsethylene-kish.com
www.parsethylene-kish.com

DUAL WALL FABRICATED 60° REDUCING WYES
24"×12" - 24"×18" DIAMETER

PIPE SIZE	A	B	C	JOINT
24 x 12 in (600 x 300 mm)	44.1 in (1120 mm)	33.3 in (847 mm)	30.1 in (764 mm)	*
24 x 12 in (600 x 300 mm)	27.8 in (706 mm)	31.4 in (798 mm)	26.9 in (684 mm)	ST
24 x 12 in (600 x 300 mm)	27.8 in (706 mm)	31.4 in (798 mm)	26.9 in (684 mm)	WT
24 x 15 in (600 x 375 mm)	47.3 in (1200 mm)	39.4 in (1000 mm)	31.7 in (804 mm)	*
24 x 15 in (600 x 375 mm)	41.0 in (1040 mm)	36.8 in (934 mm)	28.5 in (724 mm)	ST
24 x 15 in (600 x 375 mm)	41.0 in (1040 mm)	36.8 in (934 mm)	28.5 in (724 mm)	WT
24 x 18 in (600 x 450 mm)	50.4 in (1280 mm)	40.2 in (1020 mm)	33.2 in (844 mm)	*
24 x 18 in (600 x 450 mm)	44.1 in (1120 mm)	37.5 in (952 mm)	30.1 in (764 mm)	ST
24 x 18 in (600 x 450 mm)	44.1 in (1120 mm)	37.5 in (952 mm)	30.1 in (764 mm)	WT

* = PLAIN END
ST = SOIL TIGHT
WT = WATER TIGHT

NOTE: ALL FITTINGS DIMENSIONS ARE FOR REFERENCE ONLY

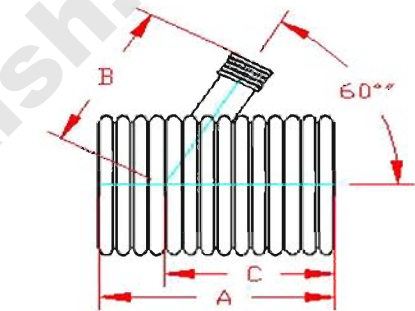


DUAL WALL FABRICATED 60° REDUCING WYES
30"×4" - 30"×10" DIAMETER

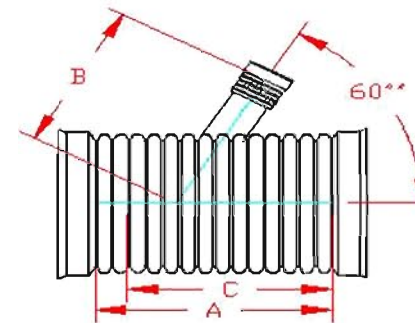
PIPE SIZE	A	B	C	JOINT
30 x 4 in (750 x 100 mm)	41.2 in (1046 mm)	26.2 in (665 mm)	30.7 in (781 mm)	*
30 x 4 in (750 x 100 mm)	33.0 in (837 mm)	25.5 in (649 mm)	26.6 in (676 mm)	ST
30 x 4 in (750 x 100 mm)	33.0 in (837 mm)	25.5 in (649 mm)	26.6 in (676 mm)	WT
30 x 6 in (750 x 150 mm)	41.2 in (1046 mm)	27.2 in (691 mm)	30.7 in (781 mm)	*
30 x 6 in (750 x 150 mm)	33.0 in (837 mm)	26.4 in (671 mm)	26.6 in (676 mm)	ST
30 x 6 in (750 x 150 mm)	33.0 in (837 mm)	26.4 in (671 mm)	26.6 in (676 mm)	WT
30 x 8 in (750 x 200 mm)	45.3 in (1151 mm)	28.9 in (734 mm)	32.8 in (833 mm)	*
30 x 8 in (750 x 200 mm)	37.1 in (942 mm)	27.9 in (710 mm)	28.7 in (728 mm)	ST
30 x 8 in (750 x 200 mm)	37.1 in (942 mm)	27.9 in (710 mm)	28.7 in (728 mm)	WT
30 x 10 in (750 x 250 mm)	49.4 in (1256 mm)	31.6 in (803 mm)	34.9 in (885 mm)	*
30 x 10 in (750 x 250 mm)	45.3 in (1151 mm)	30.3 in (771 mm)	30.7 in (781 mm)	ST
30 x 10 in (750 x 250 mm)	45.3 in (1151 mm)	30.3 in (771 mm)	30.7 in (781 mm)	WT

* = PLAIN END
ST = SOIL TIGHT
WT = WATER TIGHT

NOTE: ALL FITTINGS DIMENSIONS ARE FOR REFERENCE ONLY



PLAIN END



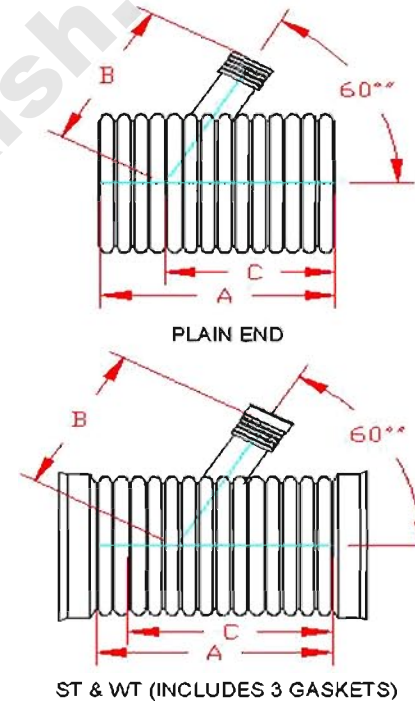
ST & WT (INCLUDES 3 GASKETS)

DUAL WALL FABRICATED 60° REDUCING WYES
30"×12" - 30"×24" DIAMETER

PIPE SIZE	A	B	C	JOINT
30 x 12 in (750 x 300 mm)	53.6 in (1360 mm)	37.5 in (954 mm)	36.9 in (938 mm)	*
30 x 12 in (750 x 300 mm)	45.3 in (1151 mm)	35.6 in (905 mm)	32.8 in (833 mm)	ST
30 x 12 in (750 x 300 mm)	45.3 in (1151 mm)	35.6 in (905 mm)	32.8 in (833 mm)	WT
30 x 15 in (750 x 375 mm)	53.6 in (1360 mm)	43.6 in (1107 mm)	36.9 in (938 mm)	*
30 x 15 in (750 x 375 mm)	45.3 in (1151 mm)	41.0 in (1041 mm)	32.8 in (833 mm)	ST
30 x 15 in (750 x 375 mm)	45.3 in (1151 mm)	41.0 in (1041 mm)	32.8 in (833 mm)	WT
30 x 18 in (750 x 450 mm)	57.7 in (1465 mm)	44.4 in (1127 mm)	39.0 in (990 mm)	*
30 x 18 in (750 x 450 mm)	49.4 in (1256 mm)	41.7 in (1059 mm)	34.9 in (885 mm)	ST
30 x 18 in (750 x 450 mm)	49.4 in (1256 mm)	41.7 in (1059 mm)	34.9 in (885 mm)	WT
30 x 24 in (750 x 600 mm)	65.9 in (1674 mm)	48.6 in (1235 mm)	43.1 in (1094 mm)	*
30 x 24 in (750 x 600 mm)	57.7 in (1465 mm)	45.5 in (1155 mm)	39.0 in (990 mm)	ST
30 x 24 in (750 x 600 mm)	57.7 in (1465 mm)	45.5 in (1155 mm)	39.0 in (990 mm)	WT

* = PLAIN END
ST = SOIL TIGHT
WT = WATER TIGHT

NOTE: ALL FITTINGS DIMENSIONS ARE FOR REFERENCE ONLY

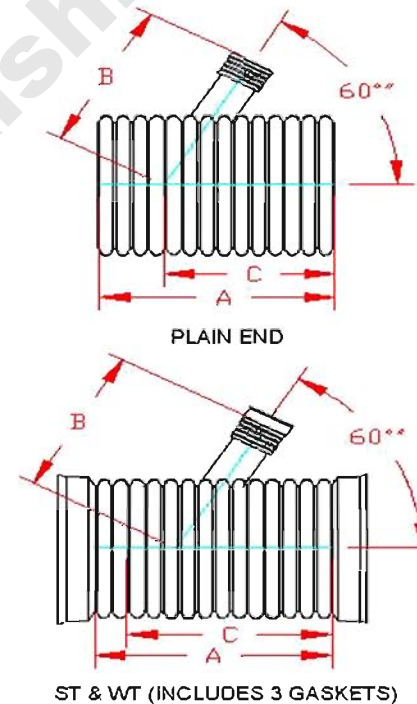


DUAL WALL FABRICATED 60° REDUCING WYES
36"x4" - 36"x10" DIAMETER

PIPE SIZE	A	B	C	JOINT
36 x 4 in (900 x 100 mm)	52.5 in (1334 mm)	30.0 in (762 mm)	38.3 in (972 mm)	*
36 x 4 in (900 x 100 mm)	42.0 in (1067 mm)	29.4 in (745 mm)	33.0 in (839 mm)	ST
36 x 4 in (900 x 100 mm)	42.0 in (1067 mm)	29.4 in (745 mm)	33.0 in (839 mm)	WT
36 x 6 in (900 x 150 mm)	52.5 in (1334 mm)	31.0 in (787 mm)	38.3 in (972 mm)	*
36 x 6 in (900 x 150 mm)	42.0 in (1067 mm)	30.2 in (768 mm)	33.0 in (839 mm)	ST
36 x 6 in (900 x 150 mm)	42.0 in (1067 mm)	30.2 in (768 mm)	33.0 in (839 mm)	WT
36 x 8 in (900 x 200 mm)	57.8 in (1467 mm)	32.7 in (831 mm)	40.9 in (1039 mm)	*
36 x 8 in (900 x 200 mm)	47.3 in (1200 mm)	31.8 in (806 mm)	35.7 in (906 mm)	ST
36 x 8 in (900 x 200 mm)	47.3 in (1200 mm)	31.8 in (806 mm)	35.7 in (906 mm)	WT
36 x 10 in (900 x 250 mm)	57.8 in (1467 mm)	35.4 in (899 mm)	40.9 in (1039 mm)	*
36 x 10 in (900 x 250 mm)	47.3 in (1200 mm)	34.2 in (867 mm)	35.7 in (906 mm)	ST
36 x 10 in (900 x 250 mm)	47.3 in (1200 mm)	34.2 in (867 mm)	35.7 in (906 mm)	WT

* = PLAIN END
ST = SOIL TIGHT
WT = WATER TIGHT

NOTE: ALL FITTINGS DIMENSIONS ARE FOR REFERENCE ONLY

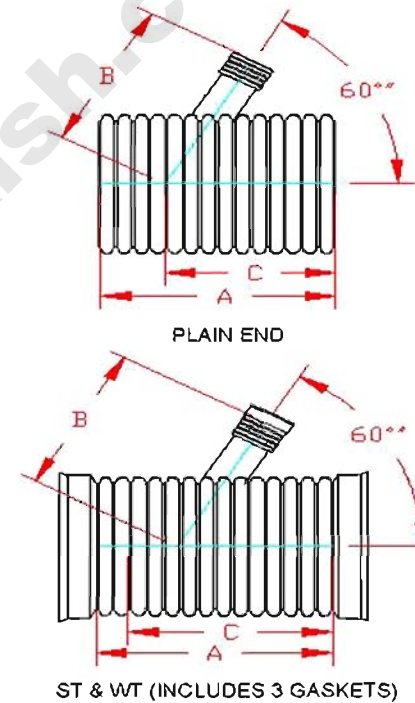


DUAL WALL FABRICATED 60° REDUCING WYES
36"×12" - 36"×24" DIAMETER

PIPE SIZE	A	B	C	JOINT
36 x 12 in (900 x 300 mm)	63.0 in (1600 mm)	41.4 in (1050 mm)	43.5 in (1106 mm)	*
36 x 12 in (900 x 300 mm)	52.5 in (1334 mm)	39.4 in (1002 mm)	38.3 in (972 mm)	ST
36 x 12 in (900 x 300 mm)	52.5 in (1334 mm)	39.4 in (1002 mm)	38.3 in (972 mm)	WT
36 x 15 in (900 x 375 mm)	63.0 in (1600 mm)	47.4 in (1203 mm)	43.5 in (1106 mm)	*
36 x 15 in (900 x 375 mm)	52.5 in (1334 mm)	44.8 in (1138 mm)	38.3 in (972 mm)	ST
36 x 15 in (900 x 375 mm)	52.5 in (1334 mm)	44.8 in (1138 mm)	38.3 in (972 mm)	WT
36 x 18 in (900 x 450 mm)	68.3 in (1734 mm)	48.2 in (1224 mm)	46.2 in (1172 mm)	*
36 x 18 in (900 x 450 mm)	57.8 in (1467 mm)	45.5 in (1156 mm)	40.9 in (1039 mm)	ST
36 x 18 in (900 x 450 mm)	57.8 in (1467 mm)	45.5 in (1156 mm)	40.9 in (1039 mm)	WT
36 x 24 in (900 x 600 mm)	78.8 in (2000 mm)	52.4 in (1331 mm)	51.4 in (1306 mm)	*
36 x 24 in (900 x 600 mm)	68.3 in (1734 mm)	49.3 in (1251 mm)	46.2 in (1172 mm)	ST
36 x 24 in (900 x 600 mm)	68.3 in (1734 mm)	49.3 in (1251 mm)	46.2 in (1172 mm)	WT

* = PLAIN END
ST = SOIL TIGHT
WT = WATER TIGHT

NOTE: ALL FITTINGS DIMENSIONS ARE FOR REFERENCE ONLY

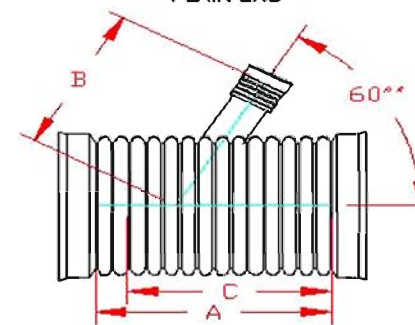
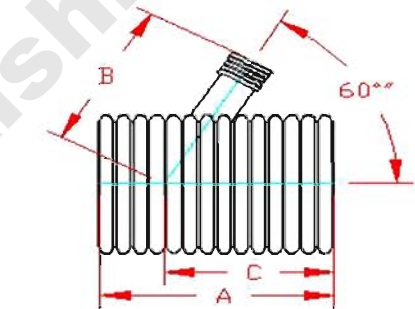


DUAL WALL FABRICATED 60° REDUCING WYES
42"×4" - 42"×10" DIAMETER

PIPE SIZE	A	B	C	JOINT
42 × 4 in (1050 × 100 mm)	51.9 in (1318 mm)	33.5 in (850 mm)	39.7 in (1009 mm)	*
42 × 4 in (1050 × 100 mm)	41.5 in (1055 mm)	32.8 in (833 mm)	34.5 in (877 mm)	ST
42 × 4 in (1050 × 100 mm)	41.5 in (1055 mm)	32.8 in (833 mm)	34.5 in (877 mm)	WT
42 × 6 in (1050 × 150 mm)	51.9 in (1318 mm)	34.5 in (875 mm)	39.7 in (1009 mm)	*
42 × 6 in (1050 × 150 mm)	41.5 in (1055 mm)	33.7 in (856 mm)	34.5 in (877 mm)	ST
42 × 6 in (1050 × 150 mm)	41.5 in (1055 mm)	33.7 in (856 mm)	34.5 in (877 mm)	WT
42 × 8 in (1050 × 200 mm)	57.1 in (1450 mm)	36.2 in (919 mm)	42.3 in (1075 mm)	*
42 × 8 in (1050 × 200 mm)	46.7 in (1186 mm)	35.2 in (894 mm)	37.1 in (943 mm)	ST
42 × 8 in (1050 × 200 mm)	46.7 in (1186 mm)	35.2 in (894 mm)	37.1 in (943 mm)	WT
42 × 10 in (1050 × 250 mm)	57.1 in (1450 mm)	38.9 in (987 mm)	42.3 in (1075 mm)	*
42 × 10 in (1050 × 250 mm)	46.7 in (1186 mm)	37.6 in (955 mm)	37.1 in (943 mm)	ST
42 × 10 in (1050 × 250 mm)	46.7 in (1186 mm)	37.6 in (955 mm)	37.1 in (943 mm)	WT

* = PLAIN END
ST = SOIL TIGHT
WT = WATER TIGHT

NOTE: ALL FITTINGS DIMENSIONS ARE FOR REFERENCE ONLY



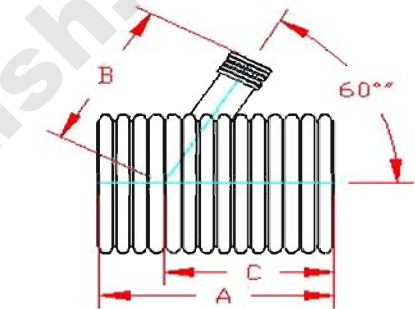
ST & WT (INCLUDES 3 GASKETS)

DUAL WALL FABRICATED 60° REDUCING WYES
42"x12" - 42"x24" DIAMETER

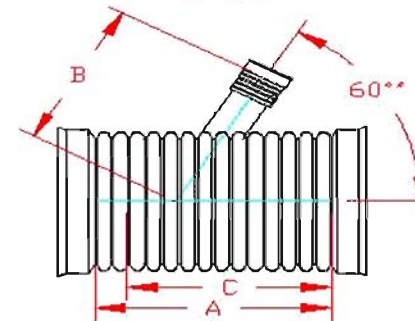
PIPE SIZE	A	B	C	JOINT
42 x 12 in (1050 x 300 mm)	62.3 in (1582 mm)	44.8 in (1138 mm)	44.9 in (1140 mm)	*
42 x 12 in (1050 x 300 mm)	51.9 in (1318 mm)	42.9 in (1089 mm)	39.7 in (1009 mm)	ST
42 x 12 in (1050 x 300 mm)	51.9 in (1318 mm)	42.8 in (1087 mm)	39.7 in (1009 mm)	WT
42 x 15 in (1050 x 375 mm)	62.3 in (1582 mm)	50.8 in (1291 mm)	44.9 in (1140 mm)	*
42 x 15 in (1050 x 375 mm)	51.9 in (1318 mm)	48.3 in (1226 mm)	39.7 in (1009 mm)	ST
42 x 15 in (1050 x 375 mm)	51.9 in (1318 mm)	48.3 in (1226 mm)	39.7 in (1009 mm)	WT
42 x 18 in (1050 x 450 mm)	67.5 in (1714 mm)	51.7 in (1312 mm)	47.5 in (1207 mm)	*
42 x 18 in (1050 x 450 mm)	57.1 in (1450 mm)	49.0 in (1244 mm)	42.3 in (1075 mm)	ST
42 x 18 in (1050 x 450 mm)	57.1 in (1450 mm)	49.0 in (1244 mm)	42.3 in (1075 mm)	WT
42 x 24 in (1050 x 600 mm)	77.9 in (1977 mm)	55.9 in (1419 mm)	52.7 in (1338 mm)	*
42 x 24 in (1050 x 600 mm)	67.5 in (1714 mm)	52.7 in (1339 mm)	49.5 in (1258 mm)	ST
42 x 24 in (1050 x 600 mm)	67.5 in (1714 mm)	52.7 in (1339 mm)	49.5 in (1258 mm)	WT

* = PLAIN END
ST = SOIL TIGHT
WT = WATER TIGHT

NOTE: ALL FITTINGS DIMENSIONS ARE FOR REFERENCE ONLY



PLAIN END



ST & WT (INCLUDES 3 GASKETS)

Office Address ■

No.18, Mina Blvd., Africa St, Tehran/Iran
Tel: (+98 - 21) 88 20 20 60 (50 Lines) Fax: (+98 - 21) 88 20 20 81

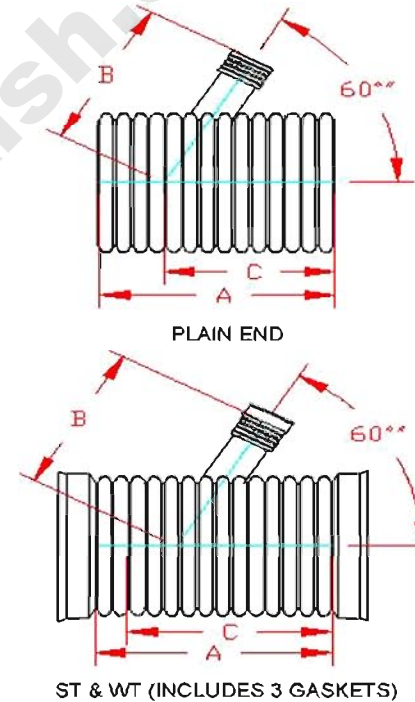
info@parsethylene-kish.com
www.parsethylene-kish.com

DUAL WALL FABRICATED 60° REDUCING WYES
 48"x4" - 48"x10" DIAMETER

PIPE SIZE	A	B	C	JOINT
48 x 4 in (1200 x 100 mm)	52.6 in (1334 mm)	36.9 in (937 mm)	41.7 in (1060 mm)	*
48 x 4 in (1200 x 100 mm)	42.0 in (1067 mm)	36.2 in (920 mm)	36.5 in (926 mm)	ST
48 x 4 in (1200 x 100 mm)	42.0 in (1067 mm)	36.2 in (920 mm)	36.5 in (926 mm)	WT
48 x 6 in (1200 x 150 mm)	52.6 in (1334 mm)	37.9 in (962 mm)	41.7 in (1060 mm)	*
48 x 6 in (1200 x 150 mm)	42.0 in (1067 mm)	37.1 in (942 mm)	36.5 in (926 mm)	ST
48 x 6 in (1200 x 150 mm)	42.0 in (1067 mm)	37.1 in (942 mm)	36.5 in (926 mm)	WT
48 x 8 in (1200 x 200 mm)	57.8 in (1467 mm)	39.6 in (1005 mm)	44.3 in (1126 mm)	*
48 x 8 in (1200 x 200 mm)	47.3 in (1200 mm)	38.6 in (981 mm)	39.1 in (993 mm)	ST
48 x 8 in (1200 x 200 mm)	47.3 in (1200 mm)	38.6 in (981 mm)	39.1 in (993 mm)	WT
48 x 10 in (1200 x 250 mm)	57.8 in (1467 mm)	42.3 in (1072 mm)	44.3 in (1126 mm)	*
48 x 10 in (1200 x 250 mm)	47.3 in (1200 mm)	41.0 in (1042 mm)	39.1 in (993 mm)	ST
48 x 10 in (1200 x 250 mm)	47.3 in (1200 mm)	41.0 in (1042 mm)	39.9 in (1013 mm)	WT

* = PLAIN END
 ST = SOIL TIGHT
 WT = WATER TIGHT

NOTE: ALL FITTINGS DIMENSIONS ARE FOR REFERENCE ONLY



Office Address ■

No.18, Mina Blvd., Africa St, Tehran/Iran
 Tel: (+98 - 21) 88 20 20 60 (50 Lines) Fax: (+98 - 21) 88 20 20 81

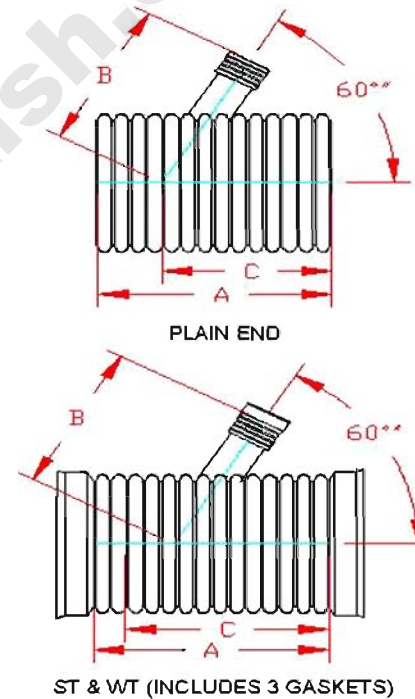
info@parsethylene-kish.com
 www.parsethylene-kish.com

DUAL WALL FABRICATED 60° REDUCING WYES
48"×12" - 48"×24" DIAMETER

PIPE SIZE	A	B	C	JOINT
48 x 12 in (1200 x 300 mm)	63.0 in (1600 mm)	48.2 in (1225 mm)	47.0 in (1193 mm)	*
48 x 12 in (1200 x 300 mm)	52.5 in (1334 mm)	46.3 in (1176 mm)	41.7 in (1060 mm)	ST
48 x 12 in (1200 x 300 mm)	52.5 in (1334 mm)	46.3 in (1176 mm)	41.7 in (1060 mm)	WT
48 x 15 in (1200 x 375 mm)	63.0 in (1600 mm)	54.2 in (1378 mm)	47.0 in (1193 mm)	*
48 x 15 in (1200 x 375 mm)	52.5 in (1334 mm)	51.7 in (1312 mm)	41.7 in (1060 mm)	ST
48 x 15 in (1200 x 375 mm)	52.5 in (1334 mm)	51.7 in (1312 mm)	41.7 in (1060 mm)	WT
48 x 18 in (1200 x 450 mm)	68.3 in (1734 mm)	55.1 in (1399 mm)	49.6 in (1260 mm)	*
48 x 18 in (1200 x 450 mm)	57.8 in (1467 mm)	52.4 in (1330 mm)	44.3 in (1126 mm)	ST
48 x 18 in (1200 x 450 mm)	57.8 in (1467 mm)	52.4 in (1330 mm)	44.3 in (1126 mm)	WT
48 x 24 in (1200 x 600 mm)	78.8 in (2000 mm)	59.3 in (1506 mm)	54.8 in (1393 mm)	*
48 x 24 in (1200 x 600 mm)	68.3 in (1734 mm)	56.1 in (1426 mm)	49.6 in (1260 mm)	ST
48 x 24 in (1200 x 600 mm)	68.3 in (1734 mm)	56.1 in (1426 mm)	49.6 in (1260 mm)	WT

* = PLAIN END
ST = SOIL TIGHT
WT = WATER TIGHT

NOTE: ALL FITTINGS DIMENSIONS ARE FOR REFERENCE ONLY



Office Address ■

No.18, Mina Blvd., Africa St, Tehran/Iran
Tel: (+98 - 21) 88 20 20 60 (50 Lines) Fax: (+98 - 21) 88 20 20 81

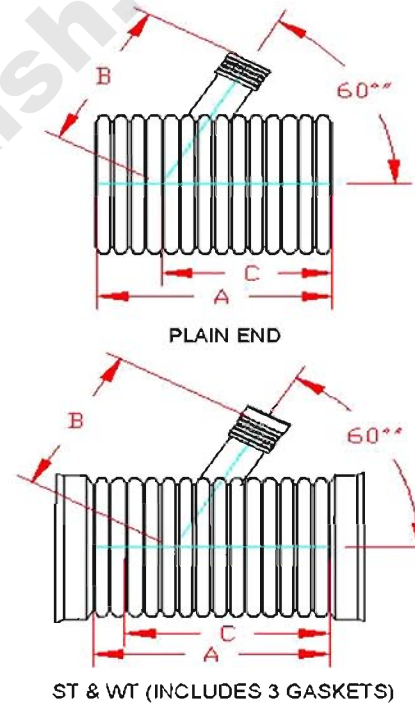
info@parsethylene-kish.com
www.parsethylene-kish.com

DUAL WALL FABRICATED 60° REDUCING WYES
60"×4" - 60"×10" DIAMETER

PIPE SIZE	A	B	C	JOINT
60 × 4 in (1500 × 100 mm)	54.0 in (1372 mm)	44.2 in (1123 mm)	46.1 in (1172 mm)	*
60 × 4 in (1500 × 100 mm)	42.0 in (1067 mm)	43.6 in (1106 mm)	40.1 in (1019 mm)	ST
60 × 4 in (1500 × 100 mm)	42.0 in (1067 mm)	43.6 in (1106 mm)	40.1 in (1019 mm)	WT
60 × 6 in (1500 × 150 mm)	60.0 in (1524 mm)	45.2 in (1148 mm)	49.1 in (1248 mm)	*
60 × 6 in (1500 × 150 mm)	48.0 in (1219 mm)	44.4 in (1129 mm)	43.1 in (1096 mm)	ST
60 × 6 in (1500 × 150 mm)	48.0 in (1219 mm)	44.4 in (1129 mm)	43.1 in (1096 mm)	WT
60 × 8 in (1500 × 200 mm)	60.0 in (1524 mm)	46.9 in (1192 mm)	49.1 in (1248 mm)	*
60 × 8 in (1500 × 200 mm)	48.0 in (1219 mm)	46.0 in (1167 mm)	43.1 in (1096 mm)	ST
60 × 8 in (1500 × 200 mm)	48.0 in (1219 mm)	46.0 in (1167 mm)	43.1 in (1096 mm)	WT
60 × 10 in (1500 × 250 mm)	66.0 in (1676 mm)	49.8 in (1260 mm)	52.1 in (1324 mm)	*
60 × 10 in (1500 × 250 mm)	54.0 in (1372 mm)	48.4 in (1228 mm)	46.1 in (1172 mm)	ST
60 × 10 in (1500 × 250 mm)	54.0 in (1372 mm)	48.4 in (1228 mm)	46.1 in (1172 mm)	WT

* = PLAIN END
ST = SOIL TIGHT
WT = WATER TIGHT

NOTE: ALL FITTINGS DIMENSIONS ARE FOR REFERENCE ONLY

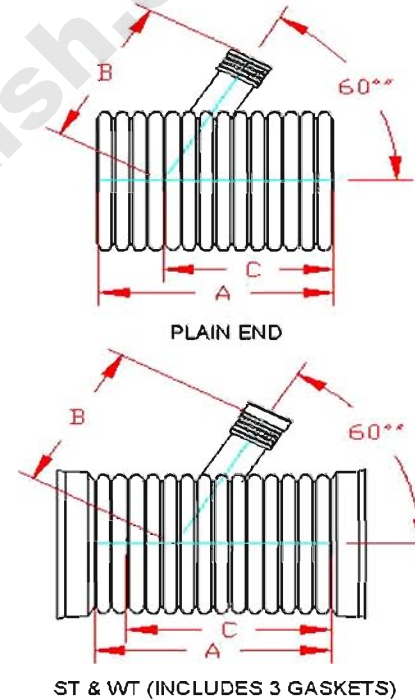


DUAL WALL FABRICATED 60° REDUCING WYES
60"×12" - 60"×24" DIAMETER

PIPE SIZE	A	B	C	JOINT
60 x 12 in (1500 x 300 mm)	66.0 in (1676 mm)	55.8 in (1411 mm)	52.1 in (1324 mm)	*
60 x 12 in (1500 x 300 mm)	54.0 in (1372 mm)	53.6 in (1362 mm)	46.1 in (1172 mm)	ST
60 x 12 in (1500 x 300 mm)	54.0 in (1372 mm)	53.8 in (1362 mm)	46.1 in (1172 mm)	WT
60 x 15 in (1500 x 375 mm)	72.0 in (1829 mm)	61.6 in (1564 mm)	55.1 in (1400 mm)	*
60 x 15 in (1500 x 375 mm)	60.0 in (1524 mm)	59.0 in (1498 mm)	49.1 in (1248 mm)	ST
60 x 15 in (1500 x 375 mm)	60.0 in (1524 mm)	59.0 in (1498 mm)	49.1 in (1248 mm)	WT
60 x 18 in (1500 x 450 mm)	78.0 in (1981 mm)	62.4 in (1585 mm)	58.1 in (1477 mm)	*
60 x 18 in (1500 x 450 mm)	66.0 in (1676 mm)	59.7 in (1517 mm)	52.1 in (1324 mm)	ST
60 x 18 in (1500 x 450 mm)	66.0 in (1676 mm)	59.7 in (1517 mm)	52.1 in (1324 mm)	WT
60 x 24 in (1500 x 600 mm)	84.0 in (2134 mm)	66.8 in (1692 mm)	61.1 in (1553 mm)	*
60 x 24 in (1500 x 600 mm)	72.0 in (1829 mm)	63.5 in (1612 mm)	55.1 in (1400 mm)	ST
60 x 24 in (1500 x 600 mm)	72.0 in (1829 mm)	63.5 in (1612 mm)	55.1 in (1400 mm)	WT

* = PLAIN END
ST = SOIL TIGHT
WT = WATER TIGHT

NOTE: ALL FITTINGS DIMENSIONS ARE FOR REFERENCE ONLY



Office Address ■

No.18, Mina Blvd., Africa St, Tehran/Iran
Tel: (+98 - 21) 88 20 20 60 (50 Lines) Fax: (+98 - 21) 88 20 20 81

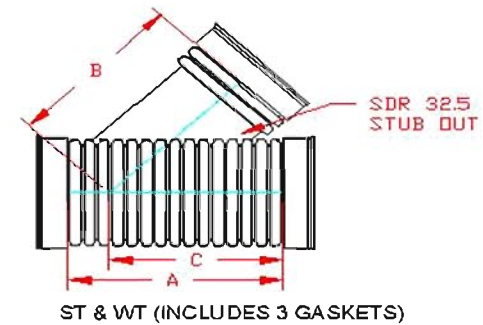
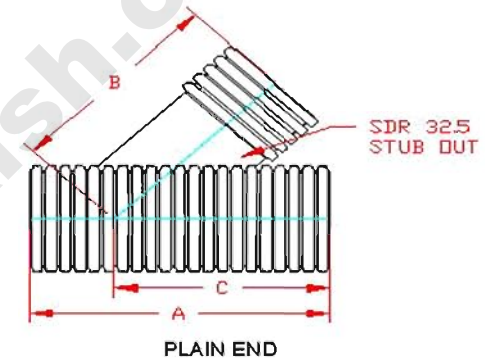
info@parsethylene-kish.com
www.parsethylene-kish.com

DUAL WALL FABRICATED STANDARD WYES
 24" DIAMETER

PIPE SIZE	A	B	C	JOINT
24 in (600 mm)	65.5 in (1664 mm)	50.0 in (1270 mm)	47.5 in (1207 mm)	*
24 in (600 mm)	47.0 in (1194 mm)	40.5 in (1029 mm)	38.0 in (965 mm)	ST
24 in (600 mm)	47.0 in (1194 mm)	40.5 in (1029 mm)	38.0 in (965 mm)	WT

* = PLAIN END
 ST = SOIL TIGHT
 WT = WATER TIGHT

NOTE: ALL FITTINGS DIMENSIONS ARE FOR REFERENCE ONLY



Office Address ■

No.18, Mina Blvd., Africa St, Tehran/Iran
 Tel: (+98 - 21) 88 20 20 60 (50 Lines) Fax: (+98 - 21) 88 20 20 81

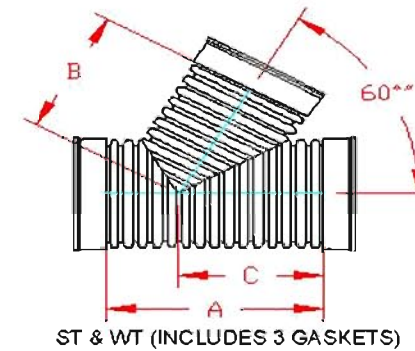
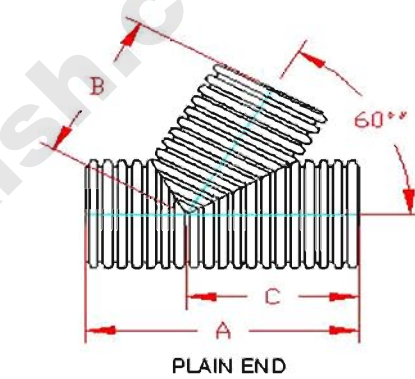
info@parsethylene-kish.com
 www.parsethylene-kish.com

DUAL WALL FABRICATED 60° STANDARD WYES
18" - 24" DIAMETER

PIPE SIZE	A	B	C	JOINT
18 in (450 mm)	48.2 in (1225 mm)	29.5 in (749 mm)	29.5 in (749 mm)	*
18 in (450 mm)	37.5 in (953 mm)	24.1 in (613 mm)	24.1 in (613 mm)	ST
18 in (450 mm)	37.5 in (953 mm)	24.1 in (613 mm)	24.1 in (613 mm)	WT
24 in (600 mm)	59.9 in (1520 mm)	37.3 in (948 mm)	37.3 in (948 mm)	*
24 in (600 mm)	47.3 in (1200 mm)	32.0 in (812 mm)	32.0 in (812 mm)	ST
24 in (600 mm)	47.3 in (1200 mm)	32.0 in (812 mm)	32.0 in (812 mm)	WT

* = PLAIN END
ST = SOIL TIGHT
WT = WATER TIGHT

NOTE: ALL FITTINGS DIMENSIONS ARE FOR REFERENCE ONLY



Office Address ■

No.18, Mina Blvd., Africa St, Tehran/Iran
Tel: (+98 - 21) 88 20 20 60 (50 Lines) Fax: (+98 - 21) 88 20 20 81

info@parsethylene-kish.com
www.parsethylene-kish.com